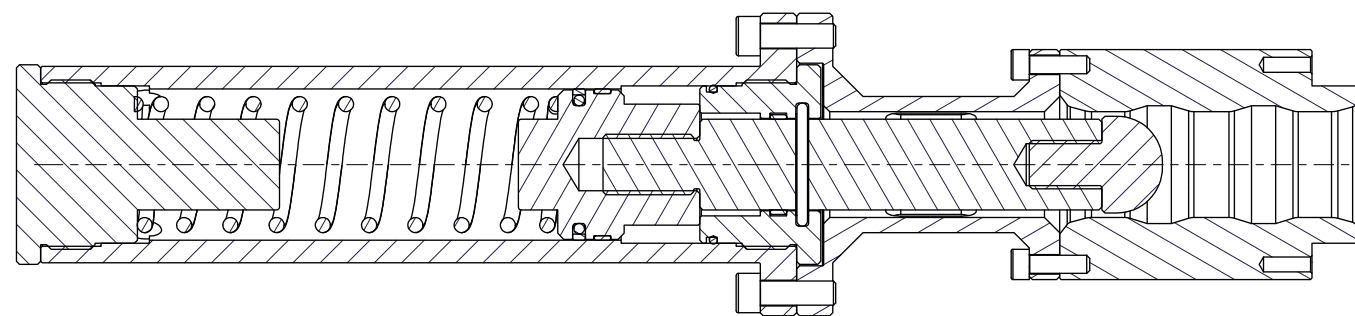
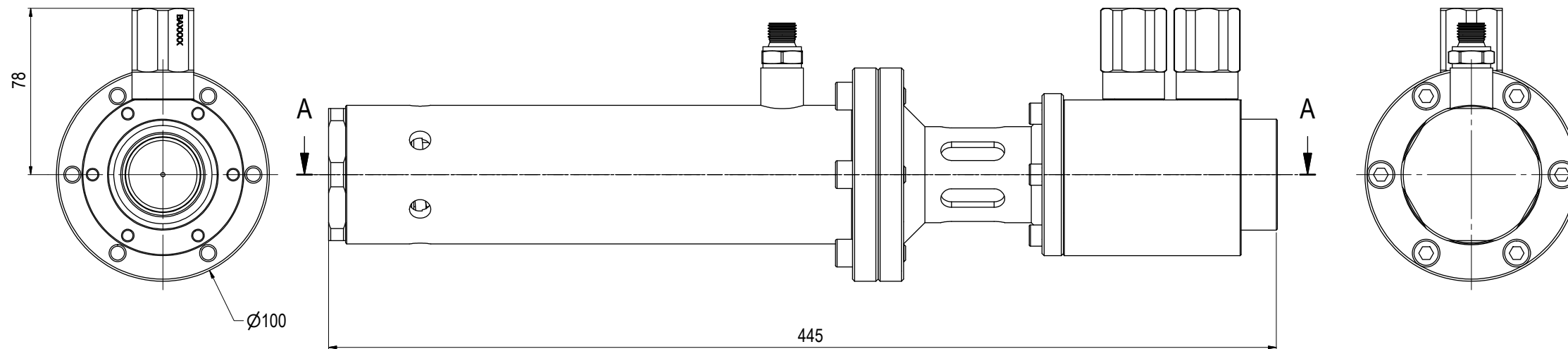


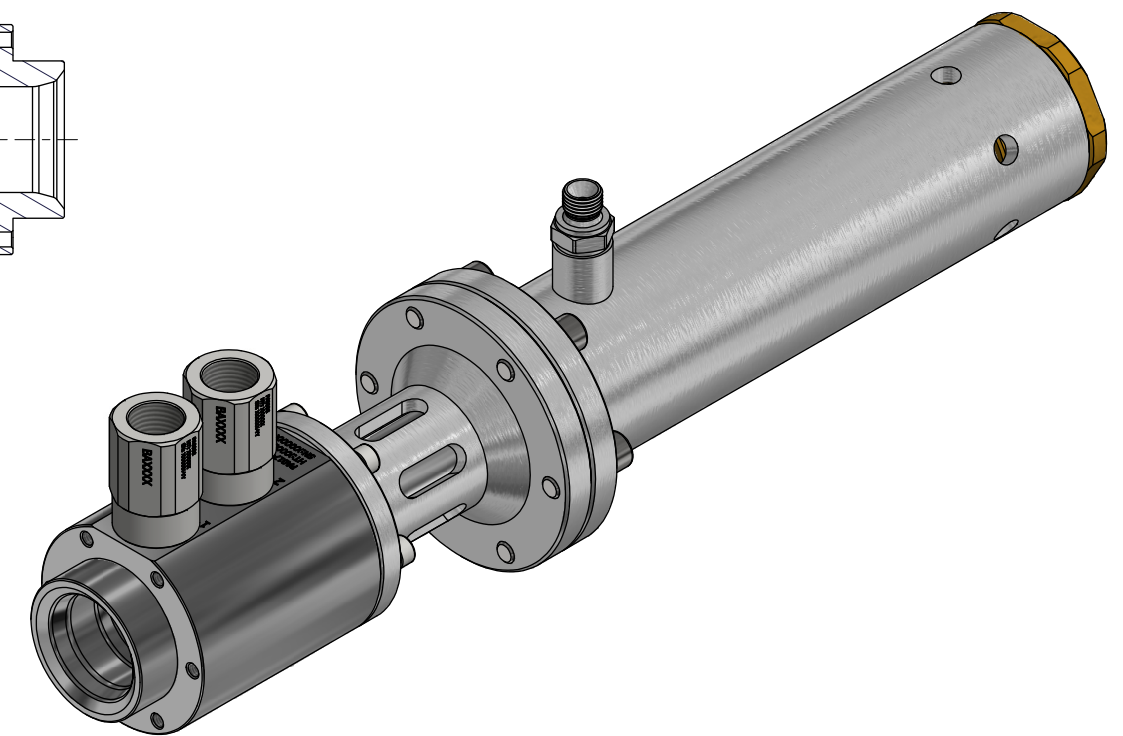
NOTE: 1
 DESIGN CODE:
 API 17H/6A

NOTE: 2
 TECHNICAL CLASSIFICATION:
 Article Type: 001-Hot Stabs
 Main Group: 1.01. Ø35 Hot Stab
 Intermediate Group: 1.1.02. Receptacle
 Sub Group: 1.1.2.02. Dual

NOTE: 3
 INTERFACE INFORMATION:
 Pressure Rating Bar: 207
 Material: Intervention
 Weight: 9,9 kg
 Volume: 1,27 dm³
 Surface Area: 3419 cm²
 Hydraulic: 1/4" BSP
 Mechanical: N/A
 Electrical: N/A
 Com. & Protocol: N/A



SECTION A-A



Rev.	Date	Reason for issue	Revision change	Made	Chk'd	Appr.
01	20.11.2015	2-IFT (Issued for Tender)		HNJ	WTJ	HNJ

BLUE LOGIC

Dwg Scale:
 NTS
 Dwg Proj:
 Dwg Format:
 A3

Drawing title:
 Ø35 DP Rec 10k Interv wCV BSP 1/2" for Stab
 Ejection

Drawing number:
 BA7572

Rev.
 01